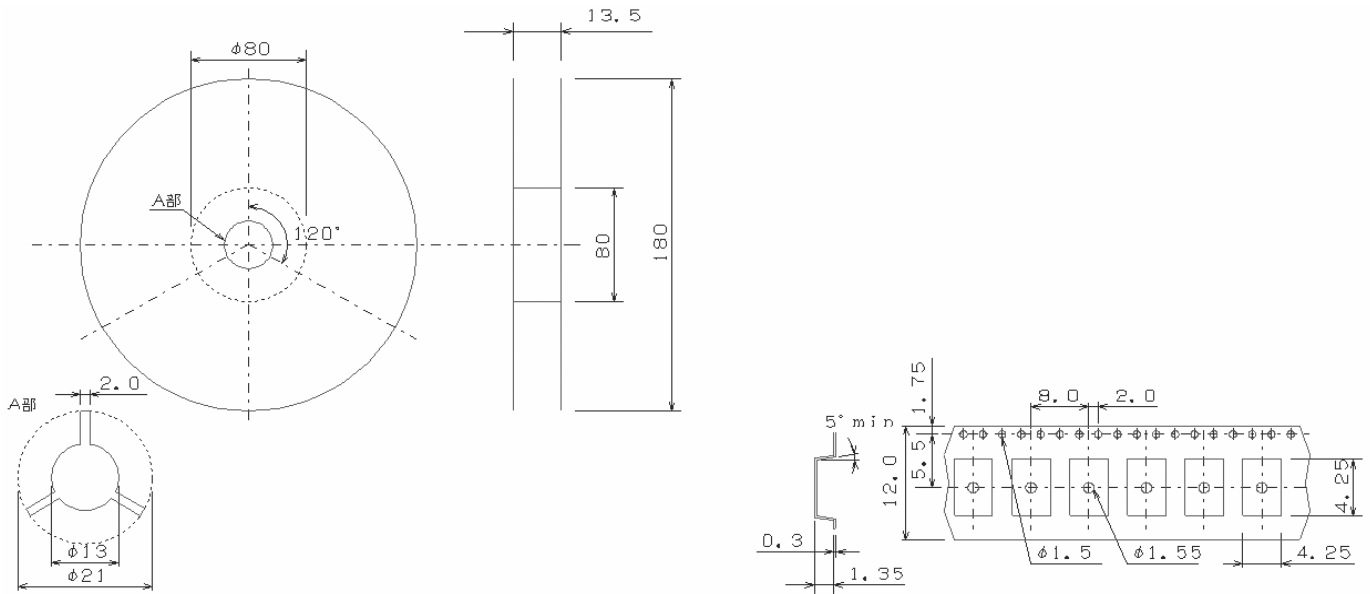


Dimensions(Unit:mm)

Code 3838M



Code 7050M4

